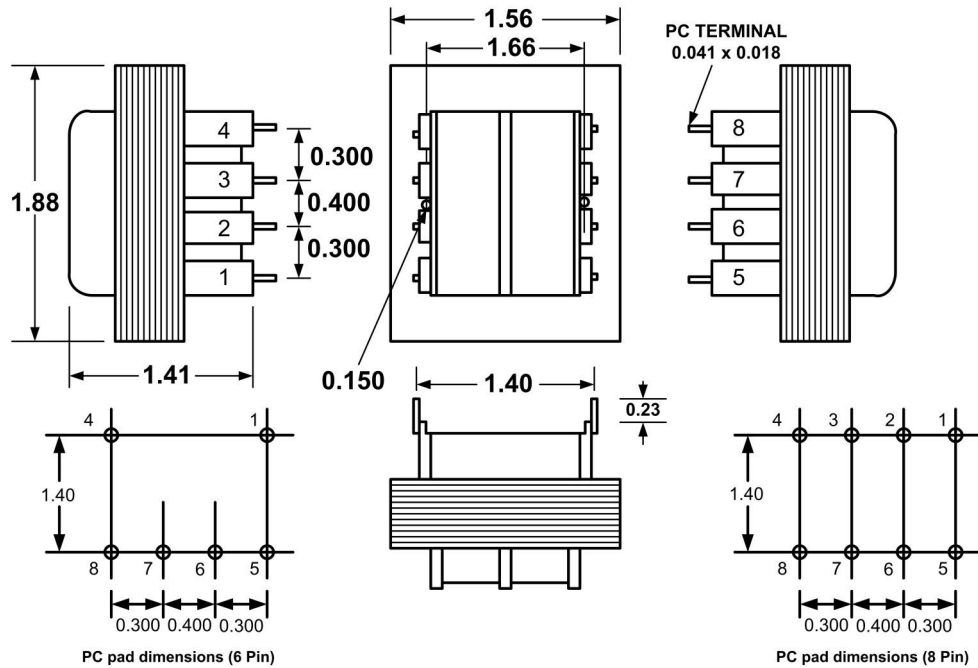


SZ & DSZ - PRINTED CIRCUIT MOUNT, HORIZONTAL, STANDARD PROFILE POWER TRANSFORMER



1. Electrical Specifications

- A. Maximum Power: 12VA
- B. Input Voltage and Frequency: 115/230V, 115V @ 50/60Hz
- C. Voltage Regulation: 19% TYP @ Full Load to No Load
- D. Temperature Rise: 45°C TYP
- E. Insulation Resistance: >1 MEG ohm
- F. Hi-Pot: 2500 Vrms 1 minute

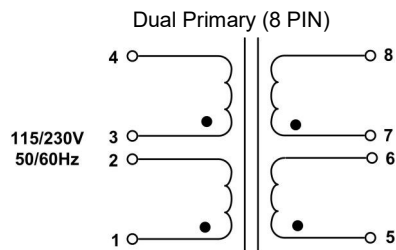
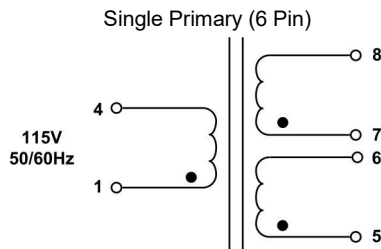
2. Agency Approval:

UL/cUL 5085-2 Recognized (File E47299)
Insulation System (File E95662)



Part No.		Series Connection	Parallel Connection
115V	115/230V		
SZ5-10	DSZ5-10	10VCT @ 1.2A	5V @ 2.4A
SZ5-12	DSZ5-12	12.6VCT @ 1.0A	6.3V @ 2.00A
SZ5-16	DSZ5-16	16VCT @ 0.80A	8V @ 1.60A
SZ5-20	DSZ5-20	20VCT @ 0.60A	10V @ 1.20A
SZ5-24	DSZ5-24	24VCT @ 0.50A	12V @ 1.0A
SZ5-28	DSZ5-28	28VCT @ 0.42A	14V @ 0.84A
SZ5-36	DSZ5-36	36VCT @ 0.35A	18V @ 0.70A
SZ5-48	DSZ5-48	48VCT @ 0.25A	24V @ 0.50A
SZ5-56	DSZ5-56	56VCT @ 0.22A	28V @ 0.44A
SZ5-120	DSZ5-120	120VCT @ 0.10A	60V @ 0.20A

WEIGHT : 0.70 Lbs.



• Indicates Like Polarity

<p>POWERSVOLT The Power for your System</p>	POWER TRANSFORMER		SZ5-XXX DSG5-XXX	
	CONTENTS OF THIS DRAWING ARE SUBJECT TO CHANGE WITHOUT PRIOR NOTICE		Powervolt Inc. 300 W Factory Road, Addison, IL -60101	Dim: Inches
PROPRIETARY NOTICE: THIS DRAWING PRINT OR DOCUMENT AND SUBJECT MATTER DISCLOSED HEREIN ARE PROPRIETARY ITEMS TO WHICH WABASH TRANSFORMER RETAINS THE EXCLUSIVE RIGHT OF DISSEMINATION, MANUFACTURE AND SALE. THIS DRAWING, PRINT OR DOCUMENT IS SUBMITTED IN CONFIDENCE FOR CONSIDERATION BY THE RECIPIENT ALONE UNLESS PERMISSION FOR FURTHER DISCLOSURE IS EXPRESSLY GRANTED IN WRITING				